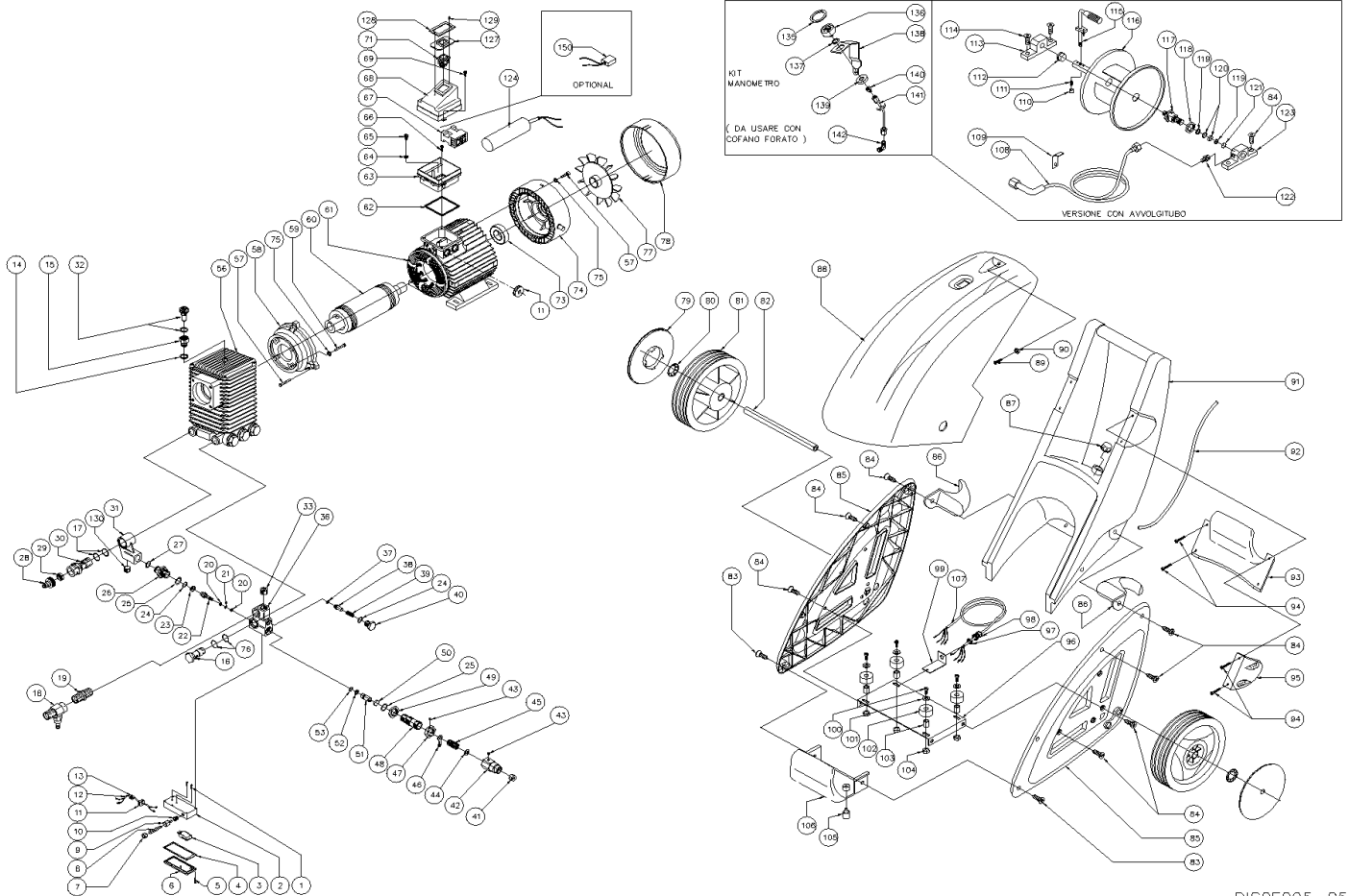


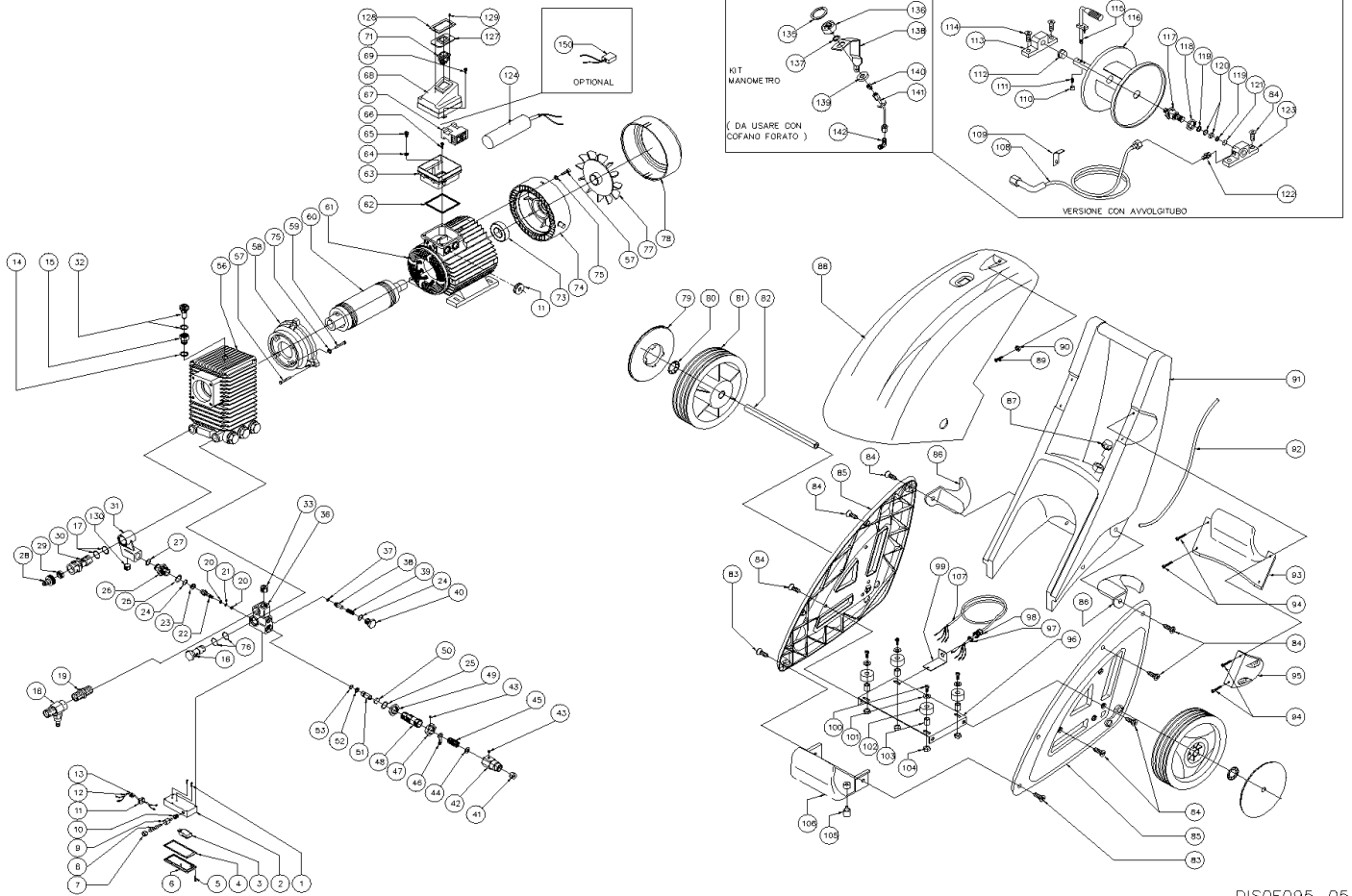
DISOF095-05

| Ref. | K | Part N. | Customer Part N. | Description | Qty | Validity: From | To |
|------|---|-----------|------------------|------------------------------------|------|-------------------|----|
| 0001 | | VTVT63123 | | VITE M 3X8 TSPCR ZN DIN 7987 | 2,00 | 10/2000 | |
| 0002 | | MPVR40209 | | COPERCHIO S.T-STOP S/2 | 1,00 | 10/2000 | |
| 0003 | | MECI80639 | | MICROINTERRUT. 20A F.S/L | 1,00 | 10/2000 | |
| 0004 | | GUVR40208 | | GUARNIZIONE T-ST. S/2 | 1,00 | 10/2000 | |
| 0005 | | VTVT62945 | | VITE ATF UNI 7981 2,2X10ZN | 5,00 | 10/2000 | |
| 0006 | | MICT60090 | | SCATOLA PORTA MICRO AQUA3300 | 1,00 | 10/2000 | |
| 0007 | | VTDD01678 | | DADO M 5 UNI 5588 | 1,00 | 10/2000 | |
| 0008 | | VTVT63056 | | VITE M 5X20 EI-ST UNI 5925 | 1,00 | 10/2000 | |
| 0009 | | MPVR60267 | | SPINOTTO MICRO VALV.TK | 1,00 | 10/2000 | |
| 0010 | | MPVR41620 | | SOFFIETTO S.T-STOP FP | 1,00 | 10/2000 | |
| 0011 | | MPVR60519 | | PASSACAPO 20/28 H11/S4 | 1,00 | 10/2000 | |
| 0012 | | MPVR40207 | | PASSACAPO COND.D.5.5 55 SHORE | 1,00 | 10/2000 | |
| 0013 | | MECB64221 | | CAVO 2X1,5 L=770 TS | 1,00 | 10/2000 | |
| 0014 | | VTRS63211 | | RONDELLA 19X13X1.5 GMM | 1,00 | 02/2001 | |
| 0015 | | RCDS81940 | | PROLUNGA SFIATO OLIO 3/8-1/4 S"44" | 1,00 | 02/2001 | |
| 0016 | | RCDS59233 | | VITE CAVA G3/8 X VALV. | 1,00 | | |
| 0017 | | GUGO01048 | | O-RING D. 15.88 X 2.62 NBR 70SH | 2,00 | | |
| 0018 | | EIDT64147 | | INIETTORE DETERG. 3/8 D.2,3 | 1,00 | | |
| 0019 | | RCDS62601 | | NIPPLO ATT. INIETT. VALV. | 1,00 | | |
| 0020 | | GUVR63579 | | ANELLO ANTIES. 7X4,1X1,5 OR2015 | 2,00 | 10/2000 | |
| 0021 | | GUGO63485 | | O-RING D. 4 X 2 NBR 70SH | 1,00 | 10/2000 | |
| 0022 | | PVVR59212 | | VALVOLA CHIUSURA BY PASS | 1,00 | 10/2000 | |
| 0023 | | PVVR59203 | | SEDE VALVOLA REG0LAZ.PRESSIONE | 1,00 | 10/2000 | |
| 0024 | | GUGO01036 | | O-RING D. 10.82 X 1.78 NBR 70SH | 2,00 | 10/2000 | |
| 0025 | | GUGO63448 | | O-RING D. 13.95 X 2.62 NBR 90SH | 2,00 | 10/2000 | |
| 0026 | | RCDS59636 | | NIPPLO INF. VALVOLA | 1,00 | 10/2000 | |
| 0027 | | GUGO63445 | | O-RING D. 10.78 X 2.62 NBR 70SH | 1,00 | 10/2000 | |
| 0028 | | RCVR62752 | | PRESA 3433 BK. | 1,00 | 04/1998 | |
| 0029 | | LAFN58908 | | FILTRO ASPIRAZ.INDY | 1,00 | | |
| 0030 | | RCVR62843 | | RACCORDO ASPIR.G3/4 VALVOLA REG. | 1,00 | | |
| 0031 | | MFVR58351 | | RACCORDO BY-PASS | 1,00 | 10/2000 | |
| 0032 | | PVVR82225 | | TAPPO CAR.OLIO W 1513 TAGLIATO | 1,00 | 02/2001 | |
| 0033 | | RCDS59684 | | TAPPO G 3/8 CON. | 1,00 | 10/2000 | |
| 0036 | | PVVR59461 | | CORPO VALVOLA C/FORO G3/8 SX | 1,00 | 10/2000 | |
| 0037 | | GUGO63460 | | O-RING D. 4.30 X 2.4 NBR 90SH | 1,00 | 10/2000 | |
| 0038 | | VVSF59764 | | VALVOLA N.RIT. | 1,00 | 10/2000 | |
| 0039 | | MLML59294 | | MOLLA VALV. NON RIT. | 1,00 | 10/2000 | |
| 0040 | | RCDS59227 | | TAPPO VALVOLA NON RITORNO | 1,00 | 10/2000 | |
| 0041 | | PVVR59564 | | GRANO REG.MOLLA VALVOLA OT | 1,00 | 10/2000 | |



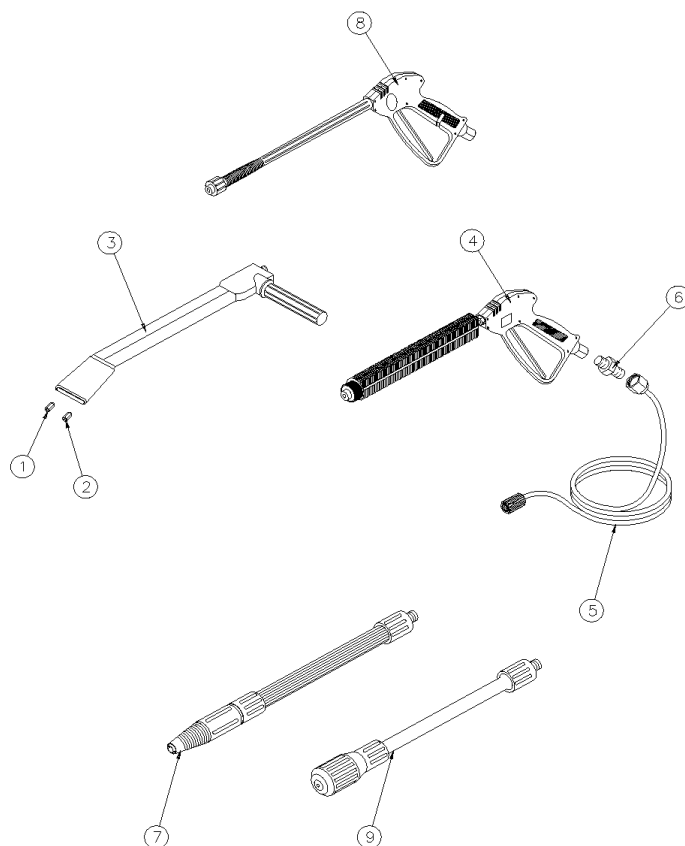
DISOF095-05

| Ref. | K | Part N. | Customer Part N. | Description | Qty | Validity: From | To |
|------|---|-----------|------------------|---------------------------------------|-------|----------------|----|
| 0042 | | RCDS59626 | | MANICOTTO REG.PRESS.CON FERMO | 1,00 | 10/2000 | |
| 0043 | | VTVT63069 | | VITE M 3X 6 EI-ST UNI5923 BR. | 2,00 | 10/2000 | |
| 0044 | | VTRS63270 | | RONDELLA TRANCIATA X VALV.INOX | 1,00 | 10/2000 | |
| 0045 | | MLML59268 | | MOLLA REGOL.PRESS.X VALV. | 1,00 | 10/2000 | |
| 0046 | | LAFN58930 | | PALETTA AZ.MICRO AQUA3300 ZN.T | 1,00 | 10/2000 | |
| 0047 | | RCVR59740 | | CONTRODADO X VALVOLA CON FERMO | 1,00 | 10/2000 | |
| 0048 | | RCDS59643 | | NIPPLO SUP.C/F VALV.R PRES. | 1,00 | 10/2000 | |
| 0049 | | RCVR59739 | | CONTRODADO X VALVOLA | 1,00 | 10/2000 | |
| 0050 | | PVVR59107 | | PIATTELLO MOLLA X VALVOLA INOX | 1,00 | 10/2000 | |
| 0051 | | PVVR59175 | | PISTONCINO AP.BY-PASS X VALV. | 1,00 | 10/2000 | |
| 0052 | | GUVR63584 | | ANELLO ANTIES. 11X8,1X1,5-OR 2031 | 1,00 | 10/2000 | |
| 0053 | | GUGO06772 | | O-RING D. 7 X 2 NBR 70SH | 1,00 | 10/2000 | |
| 0056 | | PPAP33594 | | POMPA "44" W 112 DX | 1,00 | | |
| 0057 | | VTVT62921 | | VITE TE M 6X 25 F/RD.ZN | 8,00 | 04/2000 | |
| 0058 | | MFVR57983 | | FLANGIA MEC 100 IP | 1,00 | | |
| 0059 | | VTVT12255 | | VITE TCEI 6X25 UNI5931 | 4,00 | 04/2000 | |
| 0060 | | MORT81160 | | ROTORE M.EL. CPL 90X33 H135 IP44 UNI | 1,00 | 06/2000 | |
| 0061 | | MOST80707 | | STATORE MOT.EL.152X90H135 230/50 T | 1,00 | 04/2000 | |
| 0062 | | GUVR63638 | | GUARNIZIONE BASET.MOTORE SP.2 | 1,00 | 02/2001 | |
| 0063 | | MPVR81806 | | BASE SUPPORTO SC.EL. FT200 M100 TST | 1,00 | 04/2001 | |
| 0064 | | VTRS63310 | | ROSETTA D. 4 | 1,00 | 02/2001 | |
| 0065 | | VTVT14839 | | VITE M 4X 6 TCB TC DIN 7985 | 1,00 | 02/2001 | |
| 0066 | | VTVT09682 | | VITE TPS-TC 5X12 UNI7688 | 4,00 | 02/2001 | |
| 0068 | | MPVR80674 | | COPERCHIO SC.EL. FT200 S2 | 1,00 | 02/2001 | |
| 0069 | | VTVT62983 | | VITE ATF TC CROCE M3,9X19 BRU | 2,00 | 02/2001 | |
| 0071 | | MECI81105 | | INTERRUTTORE SLX 16A 250V 0-1 8212 BI | 1,00 | 02/2001 | |
| 0073 | | CUVR53299 | | CUSCIN.A SFERE 6206-2RS 30X62X16 | 1,00 | 04/2000 | |
| 0074 | | MFVR58021 | | SCUDO MEC 100 LV. | 1,00 | 04/2000 | |
| 0075 | | VTRS63305 | | ROSETTA D. 6.4 SCHNORR ZC. | 4,00 | 04/2000 | |
| 0076 | | GUGO01942 | | O-RING D. 20.63 X 2.62 NBR 70SH | 2,00 | | |
| 0077 | | VEVR61015 | | VENTOLA MOTORE MEC 100 VTG-100 | 1,00 | 04/2000 | |
| 0078 | | LAFN62031 | | COPRIVENTOLA MEC 100 L | 1,00 | 04/2000 | |
| 0079 | | MPVR60917 | | COPRIMOZZO SPI 2 D.250 BK | 2,00 | 01/1998 | |
| 0080 | | VTRS28558 | | ROSETTA D.20 | 2,00 | 06/2001 | |
| 0081 | | RTRT60891 | | RUOTA FISSA D.250X50 D.20 SPI 2 | 2,00 | | |
| 0082 | | LAFN62390 | | ASSE RUOTE FT200 | 1,00 | | |
| 0083 | | VTVT63136 | | VITE M 8X30 TSPEI ZN | 2,00 | 04/1998 | |
| 0084 | | VTVT63134 | | VITE M 8X25 TSPEI ZN | 10,00 | 01/1998 | |
| 0085 | | MFVR58365 | | TELAIO CARRELLO FT200 | 2,00 | 01/1998 | |



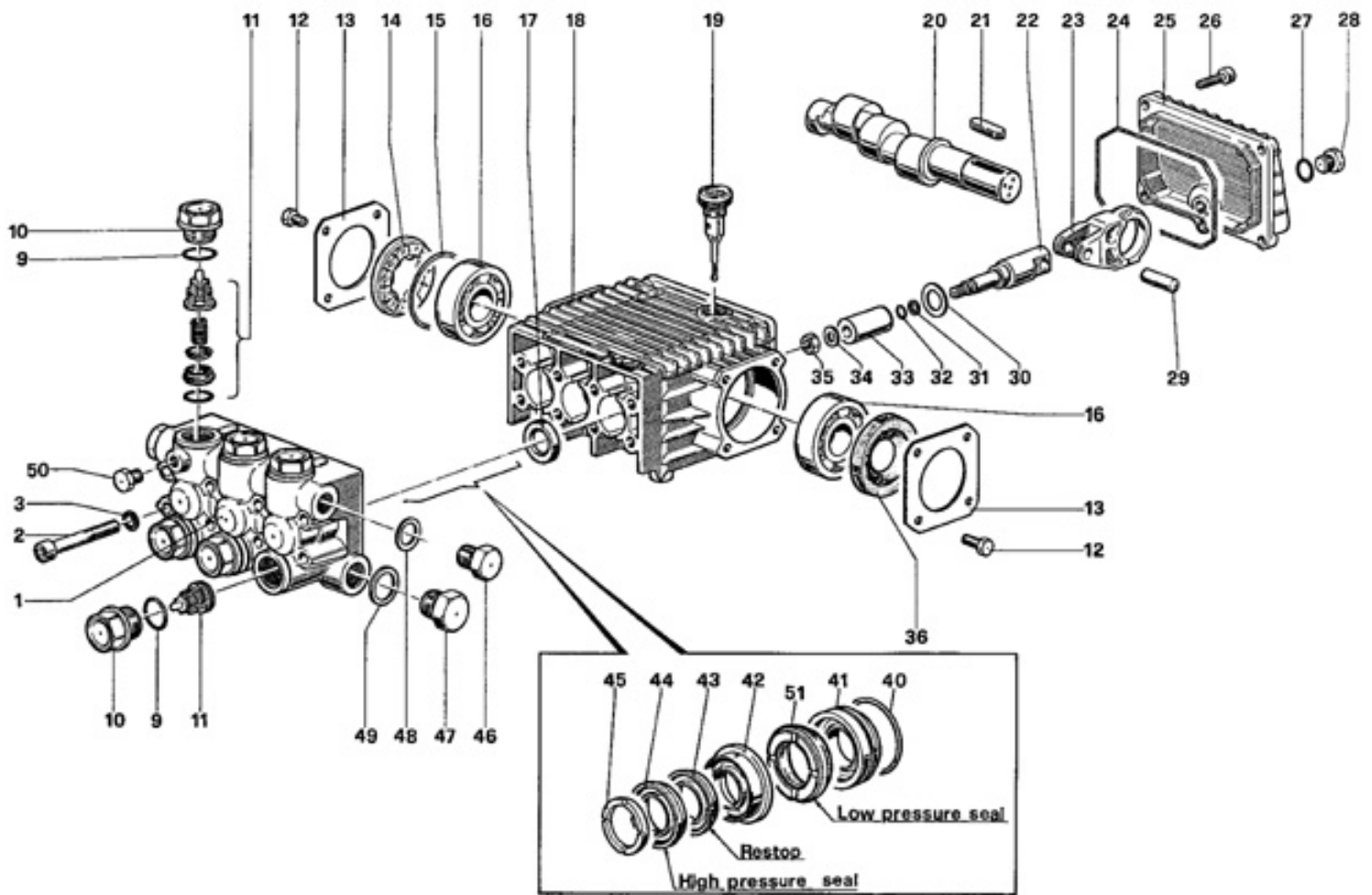
DISOF095-05

| Ref. | K | Part N. | Customer Part N. | Description | Qty | Validity: From To |
|------|---|-----------|------------------|-------------------------------------|-------|----------------------|
| 0086 | | LAFN58986 | | PIASTRINA AVVOLGICAVO FT200 | 2,00 | 04/1998 |
| 0087 | | MPVR60848 | | TAPPO SERBATOIO 1-1/4F | 1,00 | |
| 0088 | | MPVR83113 | | COPERTURA GIAL.FT200 INZ. F/MAN | 1,00 | |
| 0089 | | VTVT19236 | | VITE TCEI 5X20 UNI 5931 | 1,00 | 12/2000 |
| 0090 | | VTRS15958 | | ROSETTA D. 5 X15 UNI 6593 | 1,00 | |
| 0091 | | MPVR58544 | | SERBATOIO FT 200 | 1,00 | |
| 0092 | | TBBP62474 | | TUBO CRISTALLO D.7X10 | 0,55 | 04/1998 |
| 0093 | | MPVR60611 | | SUPPORTO AVVOLGITUBO FT200 | 1,00 | |
| 0094 | | VTVT63132 | | VITE TSPEI M 8X16 BRUNITA | 4,00 | 02/1998 |
| 0095 | | MPVR60616 | | SUPPORTO LANCIA FT200 | 1,00 | |
| 0096 | | LAFN59082 | | TRAVERSA FT200 | 1,00 | |
| 0097 | | MEVR61833 | | CONTRODADO NYL PG 13.5 BK. | 1,00 | 01/1998 |
| 0098 | | MEVR61879 | | PASSACAVO PG 13.5 SP. | 1,00 | 02/1998 |
| 0099 | | LAFN58989 | | PIASTRINA SUPPORTO SKINTOP | 1,00 | 04/1998 |
| 0100 | | VTVT17347 | | VITE TE M 8X 50 N.ZINC. | 4,00 | 01/1998 |
| 0101 | | VTRS63243 | | ROSETTA D. 8 X24 | 12,00 | 12/2000 |
| 0102 | | MECF60282 | | GOMMINO D. 30 L=20.5 70SH A.VB. | 4,00 | |
| 0103 | | LAFN58901 | | DISTANZIALE G.D.12XD.9X15 | 4,00 | |
| 0104 | | VTDD63177 | | DADO M 8 FLANGIATO | 8,00 | 04/1998 |
| 0105 | | MPVR60553 | | PIEDINO GOMMA 20X20 AQ EPDR50 | 2,00 | 01/1998 |
| 0106 | | MPVR60528 | | PIASTRA PROT.SCAT.MICRO FT200 | 1,00 | 04/1998 |
| 0107 | | MECB81327 | | CAVO H07 RNF 3X1.5 MT 5.5 S2 | 1,00 | 08/2000 |
| 0124 | | MECO61716 | | CONDENSATORE 50 MF 400/450V | 1,00 | 07/1998 |
| 0127 | | MPVR60539 | | PIASTRINA WAP | 1,00 | 02/2001 |
| 0128 | | MPVR60498 | | CORNICE WAP | 1,00 | 02/2001 |
| 0129 | | VTVT62975 | | VITE AF TCB-TC 2,9X13 ZN | 2,00 | 02/2001 |
| 0130 | | VTVT63064 | | VITE STEI G 1/4 X10 ZC. | 1,00 | 10/2000 |
| 0135 | | GUVR60278 | | ANELLO MAN.HOBBY | 1,00 | |
| 0136 | | MNMN18650 | | MANOMETRO 0-300 D.40 | 1,00 | |
| 0137 | | VTRS63213 | | RONDELLA 23X15X1,5 ZIN. AX 120 | 1,00 | |
| 0138 | | LAFN81517 | | STAFFA MANOMETRO FT | 1,00 | |
| 0139 | | MPVR60516 | | PASSACAVO PASSACAVO 10/18/22X4 PROF | 1,00 | |
| 0140 | | RCVR81855 | | RIDUZIONE 1/4M CIL.X 1/8F AVP | 1,00 | |
| 0141 | | TBAP62499 | | TUBO POLIAMMIDEL=380 1/4 F-F | 1,00 | |
| 0142 | | RCVR62671 | | RACCORDO GOMITO3/8M-1/4M | 1,00 | |

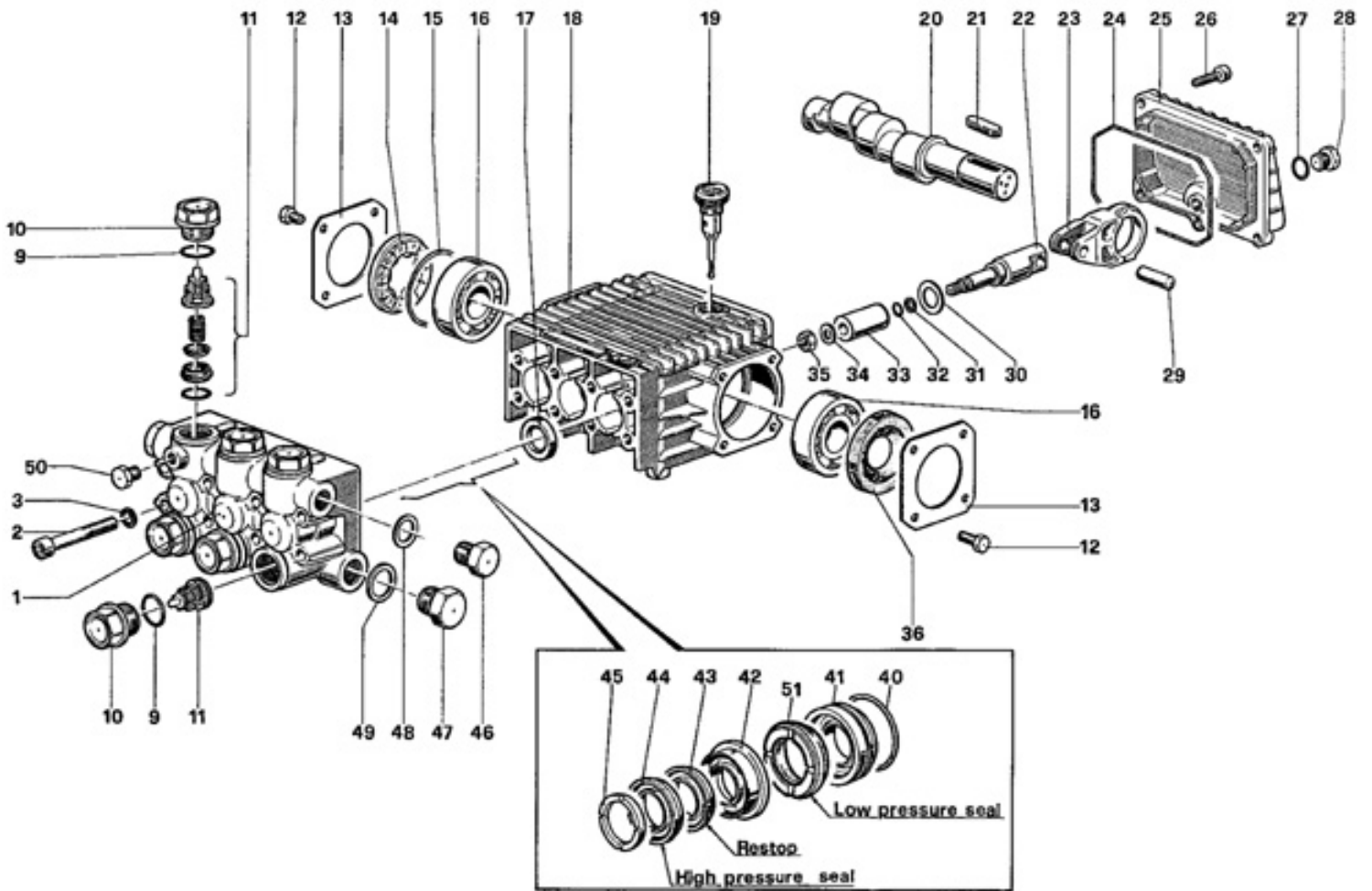


VARI0027-01

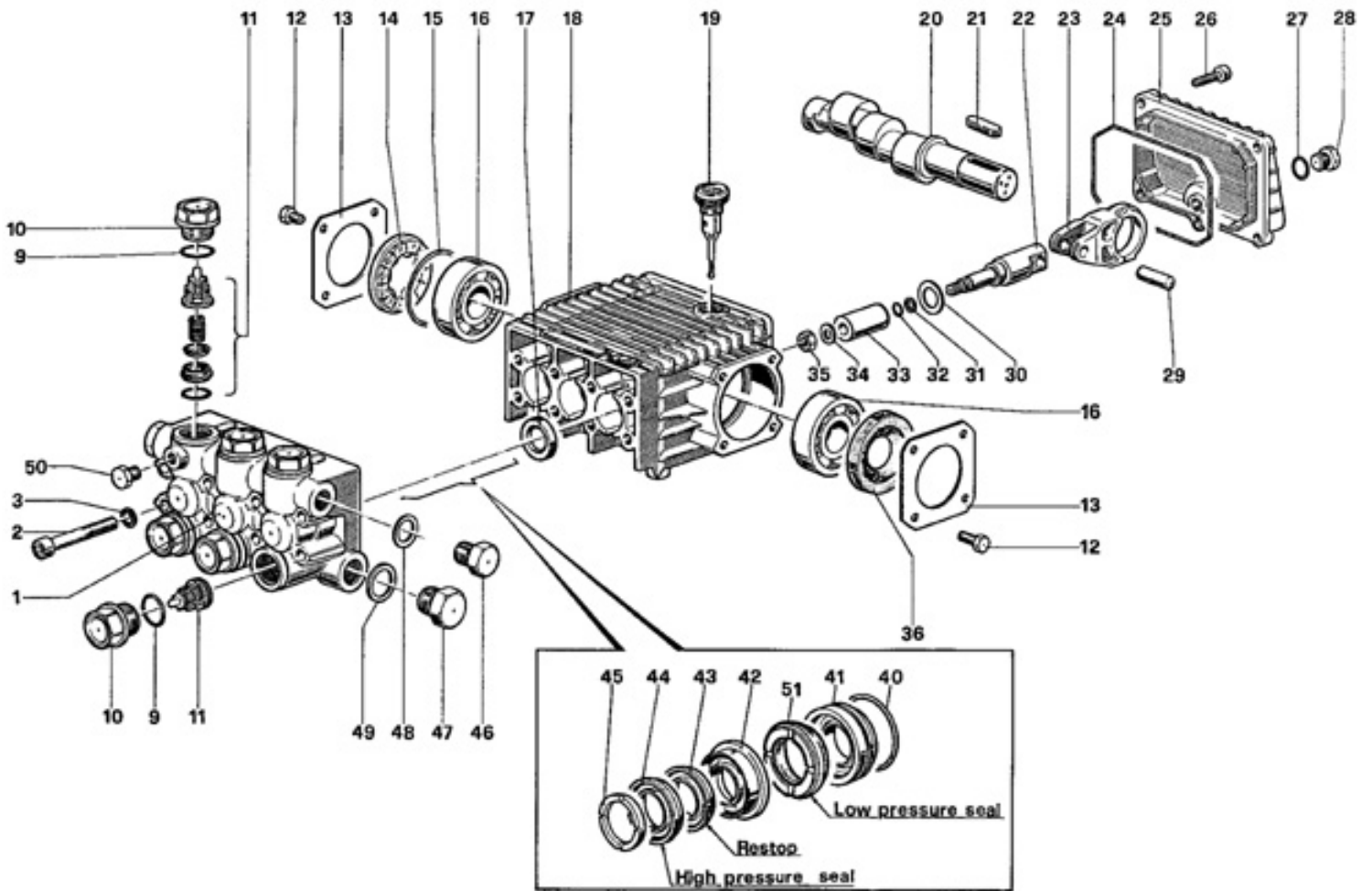
| Ref. K | Part N. | Customer Part N. | Description | Qty | Validity: | |
|--------|-----------|------------------|-----------------------------------|------|-----------|----|
| | | | | | From | To |
| 0001 | UGLN02291 | | UGELLO 1/4 1505 | 1,00 | | |
| 0002 | UGLN02505 | | UGELLO LANCIA SPS 1/4 4030 OTTONE | 1,00 | | |
| 0003 | LCLC82545 | | LANCIA DP 1/4 -M22 | 1,00 | | |
| 0005 | TBAP52994 | | TUBO A.P. 1/4 150 BAR 8MT | 1,00 | | |
| 0006 | RCDS62596 | | NIPPLO 3/8 - 3/8 CN./CL.SV | 1,00 | | |
| 0008 | IPPR82544 | | IMPUGNATURA SK1 3/8F C/PROL. M 22 | 1,00 | | |



| Ref. | K | Part N. | Customer Part N. | Description | Qty | Validity: From | To |
|------|---|-----------|------------------|----------------------------------|------|-------------------|----|
| 0001 | | MFVR35540 | | TESTATA "44" WW D.18 OT | 1,00 | | |
| 0002 | | VTVT01121 | | VITE TCEI 8X60 UNI5931 | 8,00 | | |
| 0003 | | VTRS01072 | | ROSETTA D. 8 TC | 8,00 | | |
| 0009 | S | GUGO19395 | | O-RING D. 20.24 X 2.62 NBR 70SH | 6,00 | | |
| 0010 | S | RCDS28466 | | TAPPO M24X1.5X17 "44" | 6,00 | | |
| 0011 | S | VVAM28467 | | GRUPPO VALVOLA "44" WW136-186 | 6,00 | | |
| 0012 | | VTVT01109 | | VITE TE 6X10 UNI5739 | 8,00 | | |
| 0013 | | MFVR03562 | | COPERCH. CARTERW 70 | 2,00 | | |
| 0014 | | MFVR28454 | | DISTANZIALE "44" | 1,00 | | |
| 0015 | | GUGO01040 | | O-RING D. 55.56 X 3.53 NBR 70SH | 1,00 | | |
| 0016 | | CUVR09654 | | CUSCIN.A SFERE 6305 | 2,00 | | |
| 0017 | S | GUGO01001 | | ANELLO RADIALE 20X 30X 5 NBR70 | 3,00 | | |
| 0018 | | MFVR28453 | | CARTER POMPA "44" | 1,00 | | |
| 0019 | | PVVR01089 | | TAPPO CAR.OLIO W 70 | 1,00 | | |
| 0020 | | ALMO28463 | | ALBERO "44" WW 156 | 1,00 | | |
| 0021 | | VTVR09510 | | CHIAVETTA 8X7X35 | 1,00 | | |
| 0022 | | PVVR28457 | | GUIDA PISTONE "44" | 3,00 | | |
| 0023 | | BLVR28459 | | BIELLA "44" | 3,00 | | |
| 0024 | | GUGO18695 | | O-RING D. 101.27 X 2.62 NBR 70SH | 1,00 | | |
| 0025 | | MFVR28460 | | COPERCH. CARTER"44" | 1,00 | | |
| 0026 | | VTVT01114 | | VITE TCEI 6X14 UNI 5931 | 5,00 | | |
| 0027 | | GUGO01036 | | O-RING D. 10.82 X 1.78 NBR 70SH | 1,00 | | |
| 0028 | | RCDS01088 | | TAPPO 1/4X 9 M WW90 | 1,00 | | |
| 0029 | | PVVR28458 | | SPINOTTO D.10X29.5 "44" | 3,00 | | |
| 0030 | | VTRS28456 | | ROSETTA D.16 X28 X1 | 3,00 | | |
| 0031 | | GUVR10257 | | ANELLO ANTIES. WW161 | 3,00 | | |
| 0032 | | GUGO01055 | | O-RING D. 5.28 X 1.78 VIT 70SH | 3,00 | | |
| 0033 | | PIVR28455 | | PISTONE D.18 "44" | 3,00 | | |
| 0034 | | VTRS09321 | | ROSETTA D. 8X13X1 | 3,00 | | |
| 0035 | | VTDD04284 | | DADO M8X1.25X12X3,5 S2 | 3,00 | | |
| 0036 | | GUGO28465 | | ANELLO RADIALE 25X 62X10 NBR70 | 1,00 | | |
| 0040 | S | GUGO01039 | | O-RING D. 31.47 X 1.78 NBR 70SH | 3,00 | | |
| 0041 | S | PVVR28506 | | ANELLO DI FONDOD. 18 "44" | 3,00 | | |
| 0042 | S | PVVR28504 | | ANELLO INTERM. D. 18 "44" | 3,00 | | |
| 0043 | S | GUVR28503 | | ANELLO TENUTA D. 18 RESTOP | 3,00 | | |
| 0044 | S | GUVR28502 | | ANELLO TENUTA D. 18 | 3,00 | | |
| 0045 | S | PVVR28501 | | ANELLO DI TESTAD. 18 "44" | 3,00 | | |
| 0046 | | RCDS01090 | | TAPPO 3/8X13 M WW90 | 1,00 | | |
| 0047 | | RCDS01091 | | TAPPO 1/2X10 M | 1,00 | | |



| Ref. K | Part N. | Customer Part N. | Description | Qty | Validity: | |
|--------|-------------|------------------|--------------------------|------|-----------|----|
| | | | | | From | To |
| 0048 | VTRS01074 | | ROSETTA D.17,5X23 X1,5 | 1,00 | | |
| 0049 | VTRS01075 | | ROSETTA D.21,5X27 ALL | 1,00 | | |
| 0050 | RCDS09704 | | TAPPO G 1/8 KR | 1,00 | | |
| 0051 | S GUVR34583 | | ANELLO TENUTA D. 18 L.P. | 3,00 | | |



| Ref. Part N. | Cust. Part N. | Description | Reference |
|--------------|---------------|-------------|------------------------------------|
| KTRI18585 | KIT P | 23 | 0017 |
| KTRI28508 | KIT P | 15-123 | 0011 |
| KTRI28510 | KIT P | 15-124 | 0009 0010 |
| KTRI28514 | KIT P | 15-126 | 0040 0041 |
| KTRI28516 | KIT P | 127 | 0043 0044 0051 |
| KTRI28518 | KIT P | 128 | 0042 |
| KTRI28520 | KIT P | 129 | 0045 |
| KTRI28524 | KIT P | 131 | 0040 0041 0042 0043 0044 0045 0051 |